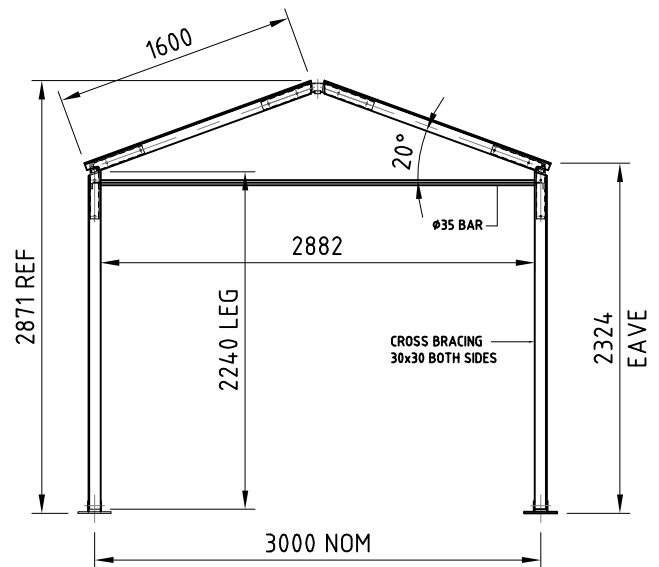
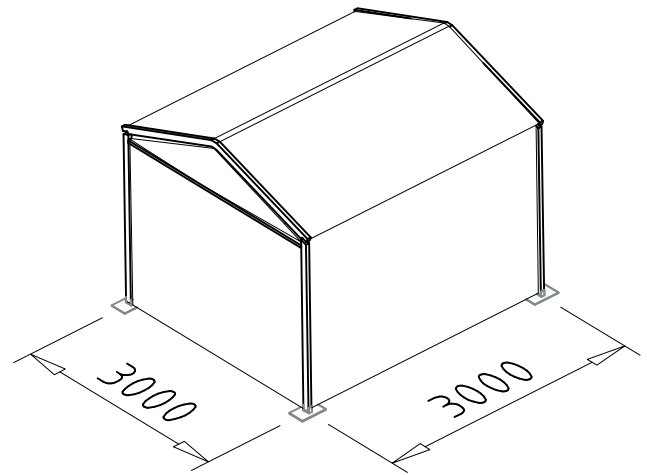




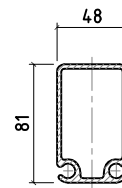
3m - Technical Data

ITEM	SPECIFICATION
CLEAR - SPAN WIDTH	3.081m
EAVE HEIGHT	2.324m
RIDGE HEIGHT	2.871m
ROOF PITCH	20°
BAY DISTANCE	3m
LONGEST COMPONENT	2.8m
MINIMUM TENT LENGTH	3m
MAXIMUM TENT LENGTH	NO LIMITED
MAIN PROFILE	81 x 43 x 3mm (2 - CHANNEL)
MAX.ALLOWED WINDSPEED	80km / hour 0.3kn/m ₂
FRAMEWORK MATERIAL	HARD PRESSED EXTRUDED ALUMINIUM 6005A-T5
COVER MATERIAL	PVC- OPAQUE FABRIC, FLAME RETARDANT AS 1530.2 -PART 3 TEMP RESISTANCE: DIN 53361

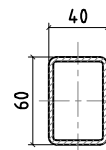


GABLE FRAME

FRAMEWORK MAIN PROFILE DIMENSION AND USE



PHC-012
ROOF BEAMS
SIDE LEGS



PHC-003
GABLE UPRIGHTS
RIDGE & EVEAS PURLINS



PHC-008
INTERMEDIALE PURLIN



PHC-006
GABLE CONNECTOR

OPTIONAL ACCESSORIES

PVC WINDOW SIDEWALLS
SPIKE ANCHORING
RAIN GUTTER
LINING AND CURTAIN
GLASS DOOR UNITS
HARD WALLING SYSTEM
GLASS WALL SYSTEM
TRANSPARENT PVC COVER & SIDEWALL.
FLOORING SYSTEM
WEIGHT PLATE