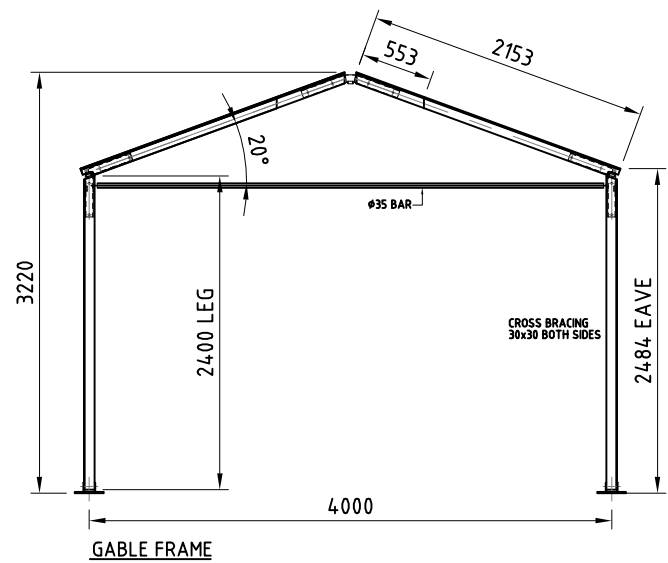
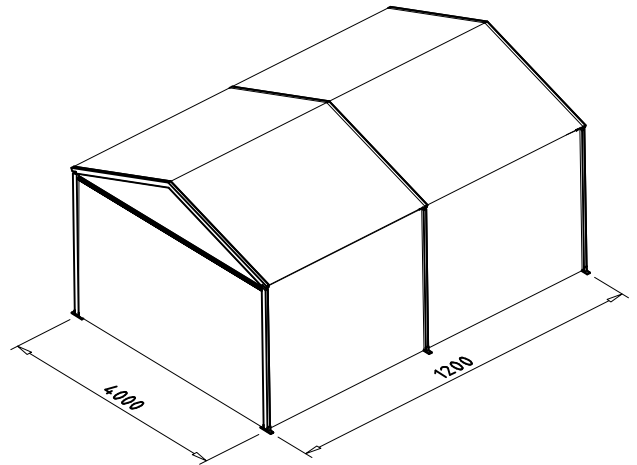




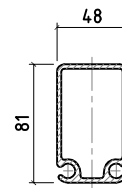
4m - Technical Data

ITEM	SPECIFICATION
CLEAR - SPAN WIDTH	4.081m
LEG HEIGHT	2.4m* / 3m*
EAVE HEIGHT	(2.4)*2.484m / (3m)*3.084m
RIDGE HEIGHT	(2.4m)* 3.220m / (3m)*3.820m
ROOF PITCH	20°
BAY DISTANCE	3m
LONGEST COMPONENT	3.8m
MINIMUM TENT LENGTH	4m
MAXIMUM TENT LENGTH	NO LIMITED
MAIN PROFILE	81 x 43 x 3mm (2 - CHANNEL)
MAX.ALLOWED WINDSPEED	80km / hour 0.3kn/m ₂
FRAMEWORK MATERIAL	HARD PRESSED EXTRUDED ALUMINIUM 6005A-T5
COVER MATERIAL	PVC- OPAQUE FABRIC, FLAME RETARDANT AS 1530.2 -PART 3 TEMP RESISTANCE: DIN 53361

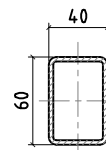
	OPTIONAL ACCESSORIES
	PVC WINDOW SIDEWALLS SPIKE ANCHORING RAIN GUTTER LINING AND CURTAIN GLASS DOOR UNITS HARD WALLING SYSTEM GLASS WALL SYSTEM TRANSPARENT PVC COVER & SIDEWALL. FLOORING SYSTEM WEIGHT PLATE



FRAMEWORK MAIN PROFILE DIMENSION AND USE



PHC-012
ROOF BEAMS
SIDE LEGS



PHC-003
GABLE UPRIGHTS
RIDGE & EVEAS PURLINS



PHC-008
INTERMEDIALE PURLIN



PHC-006
GABLE CONNECTOR