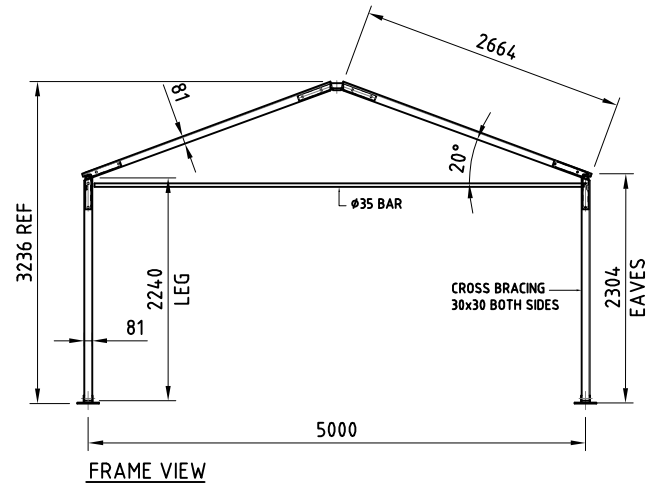
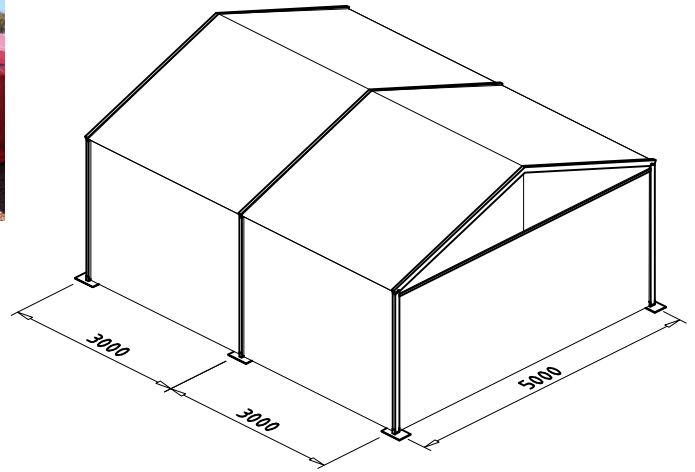




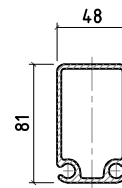
5m -(3m BAY) Technical Data

ITEM	SPECIFICATION
CLEAR - SPAN WIDTH	5.081m
LEG HEIGHT	2.2m
EAVE HEIGHT	2.304m
RIDGE HEIGHT	3.236m
ROOF PITCH	20°
BAY DISTANCE	3m
LONGEST COMPONENT	4.9m
MINIMUM TENT LENGTH	3m
MAXIMUM TENT LENGTH	NO LIMITED
MAIN PROFILE	81 x 43 x 3mm (2 - CHANNEL)
MAX.ALLOWED WINDSPEED	80km / hour 0.3kn/m ₂
FRAMEWORK MATERIAL	HARD PRESSED EXTRUDED ALUMINIUM 6005A-T5
COVER MATERIAL	PVC- OPAQUE FABRIC, FLAME RETARDANT AS 1530.2 -PART 3 TEMP RESISTANCE: DIN 53361

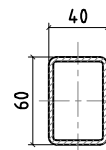
	OPTIONAL ACCESSORIES
	PVC WINDOW SIDEWALLS SPIKE ANCHORING RAIN GUTTER LINING AND CURTAIN GLASS DOOR UNITS HARD WALLING SYSTEM GLASS WALL SYSTEM TRANSPARENT PVC COVER & SIDEWALL. FLOORING SYSTEM WEIGHT PLATE



FRAMEWORK MAIN PROFILE DIMENSION AND USE



PHC-012
ROOF BEAMS
SIDE LEGS



PHC-003
GABLE UPRIGHTS
RIDGE & EVEAS PURLINS



PHC-008
INTERMEDIALE PURLIN



PHC-006
GABLE CONNECTOR