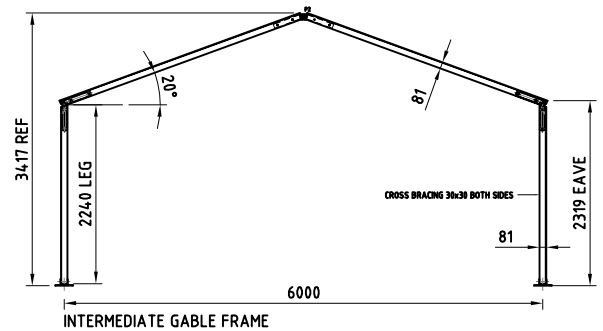
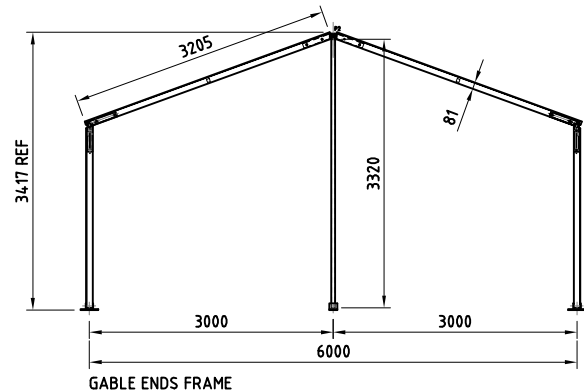
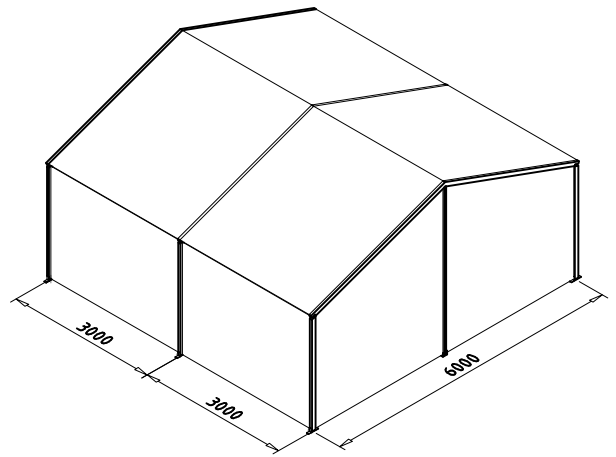




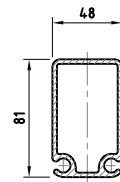
## 6m - (3m BAY) Technical Data

ITEM	SPECIFICATION
CLEAR - SPAN WIDTH	6.081m
LEG HEIGHT	2.4m
EAVE HEIGHT	2.319m
RIDGE HEIGHT	3.417m
ROOF PITCH	20°
BAY DISTANCE	3m
LONGEST COMPONENT	3.3m
MINIMUM TENT LENGTH	6m
MAXIMUM TENT LENGTH	NO LIMITED
MAIN PROFILE	81 x 43 x 3mm (2 - CHANNEL)
MAX.ALLOWED WINDSPEED	80km / hour 0.3kn/m <sub>2</sub>
FRAMEWORK MATERIAL	HARD PRESSED EXTRUDED ALUMINIUM 6005A-T5
COVER MATERIAL	PVC- OPAQUE FABRIC, FLAME RETARDANT AS 1530.2 -PART 3 TEMP RESISTANCE: DIN 53361

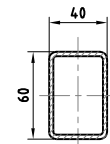
	OPTIONAL ACCESSORIES
	PVC WINDOW SIDEWALLS SPIKE ANCHORING RAIN GUTTER LINING AND CURTAIN GLASS DOOR UNITS HARD WALLING SYSTEM GLASS WALL SYSTEM TRANSPARENT PVC COVER & SIDEWALL. FLOORING SYSTEM WEIGHT PLATE



### FRAMEWORK MAIN PROFILE DIMENSION AND USE



PHC-012  
ROOF BEAMS  
SIDE LEGS



PHC-003  
GABLE UPRIGHTS  
RIDGE & EAVES PURLINS



PHC-008  
INTERMEDIATE PURLIN