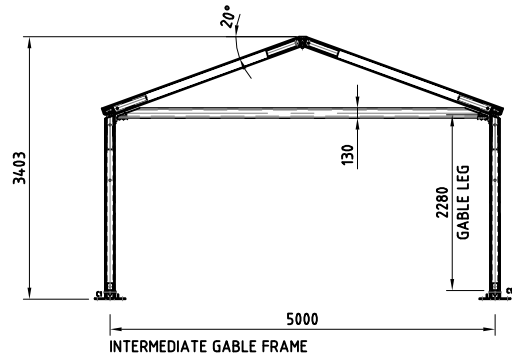
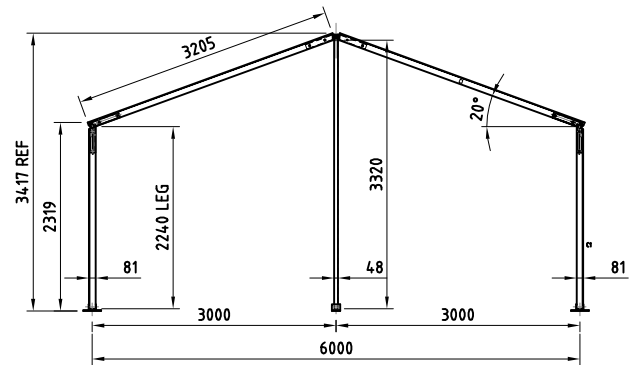
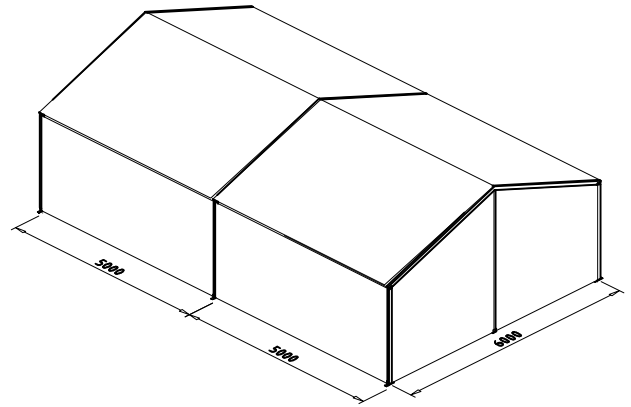




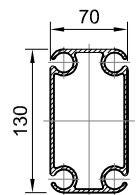
6m - Technical Data

ITEM	SPECIFICATION
CLEAR - SPAN WIDTH	6.130m
LEG HEIGHT	2.4m* / 3.0m / 3.5m / 4.0m
EAVE HEIGHT	2.473m* / 3.000m / 3.573m / 3.924m
RIDGE HEIGHT	3.585m* / 4.112m / 4.685m / 5.036m
ROOF PITCH	20°
BAY DISTANCE	5m
LONGEST COMPONENT	4.9m
MINIMUM TENT LENGTH	5m
MAXIMUM TENT LENGTH	NO LIMITED
MAIN PROFILE	130 x 70 x 3mm (4 - CHANNEL)
MAX.ALLOWED WINDSPEED	80km / hour 0.3kn/m ₂
FRAMEWORK MATERIAL	HARD PRESSED EXTRUDED ALUMINIUM 6005A-T5
COVER MATERIAL	PVC- OPAQUE FABRIC, FLAME RETARDANT AS 1530.2 -PART 3 TEMP RESISTANCE: DIN 53361

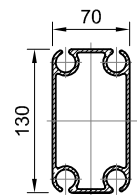
	OPTIONAL ACCESSORIES
	PVC WINDOW SIDEWALLS SPIKE ANCHORING RAIN GUTTER LINING AND CURTAIN GLASS DOOR UNITS HARD WALLING SYSTEM GLASS WALL SYSTEM TRANSPARENT PVC COVER & SIDEWALL. FLOORING SYSTEM WEIGHT PLATE



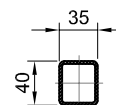
FRAMEWORK MAIN PROFILE DIMENSION AND USE



PHC-004
ROOF BEAMS
SIDE LEGS



PHC-006
GABLE UPRIGHTS
RIDGE & EAVES PURLINS



PHC-008
INTERMEDIALE PURLIN