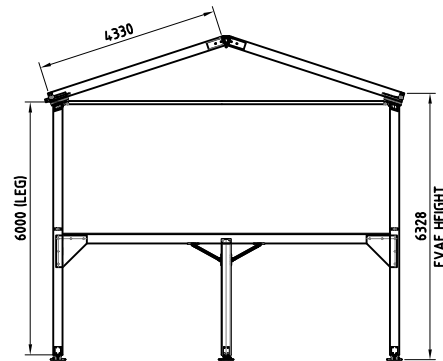
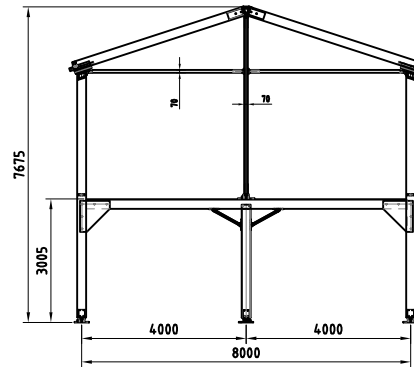
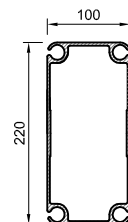


8m - Technical Data - 6m LEGS

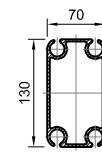
ITEM	SPECIFICATION
CLEAR - SPAN WIDTH	8.220m
LEG HEIGHT	6m
EAVE HEIGHT	6.328m
RIDGE HEIGHT	7.675m
ROOF PITCH	18°
BAY DISTANCE	5m
LONGEST COMPONENT	7.740m
MINIMUM TENT LENGTH	5m
MAXIMUM TENT LENGTH	NO LIMITED
MAIN PROFILE	220 x 100 x 3mm (4 - CHANNEL)
MAX.ALLOWED WINDSPEED	80km / hour 0.3kn/m ₂
FRAMEWORK MATERIAL	HARD PRESSED EXTRUDED ALUMINIUM 6005A-T5
COVER MATERIAL	PVC- OPAQUE FABRIC, FLAME RETARDANT AS 1530.2 -PART 3 TEMP RESISTANCE: DIN 53361



FRAMEWORK MAIN PROFILE
DIMENSION AND USE



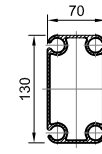
PHC-012
ROOF BEAMS
SIDE LEGS



PHC-006
GABLE UPRIGHTS
RIDGE & EAVES PURLINS



PHC-014
INTERMEDIALE PURLIN



PHC-004
GABLE CONNECTOR

OPTIONAL ACCESSORIES

PVC WINDOW SIDEWALLS
SPIKE ANCHORING
RAIN GUTTER
LINING AND CURTAIN
GLASS DOOR UNITS
HARD WALLING SYSTEM
GLASS WALL SYSTEM
TRANSPARENT PVC COVER & SIDEWALL.
FLOORING SYSTEM
WEIGHT PLATE