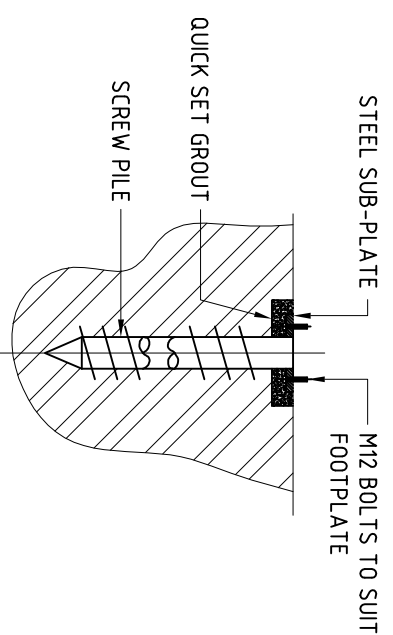
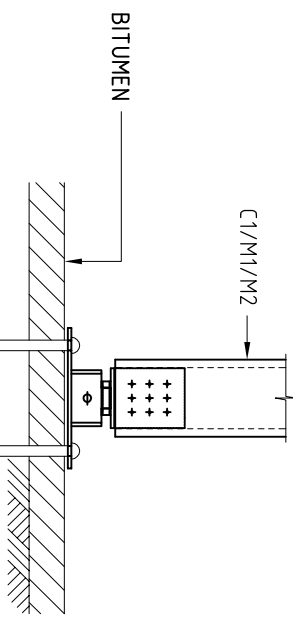


-MARQUEE CAN BE ERECTED IN REGION 'A': TERRAIN CATEGORY 2  
 -WIND SPEED MARQUEE MUST NOT BE OCCUPIED IF WIND SPEED EXCEED 80km per HOUR.  
 -NOTE NO RESTRICTION ON (BAYS)LENGTH OF STRUCTURE.



STEEL PEGS TO RESIST HORIZONTAL AND UPLIFT LOADS APPLIED BY STRUCTURE AS PER STRUCTURAL ENGINEER'S REQUIREMENTS



FIXING STRAP TO HAVE WEIGHT CAPACITY OF AT LEAST THE MASS OF THE CONCRETE WEIGHT

CONCRETE WEIGHT SUFFICIENT MASS TO RESIST HORIZONTAL AND UPLIFT LOADS SPECIFIED BY STRUCTURAL ENGINEER

SOIL CAPACITY TEST TO BE CARRIED OUT ON SITE

STEEL PEGS TO RESIST HORIZONTAL AND UPLIFT LOADS APPLIED BY STRUCTURE AS PER STRUCTURAL ENGINEER'S REQUIREMENTS

TYPICAL BASE FIXING USING PEGS AND HOLD DOWN WEIGHTS - SOIL

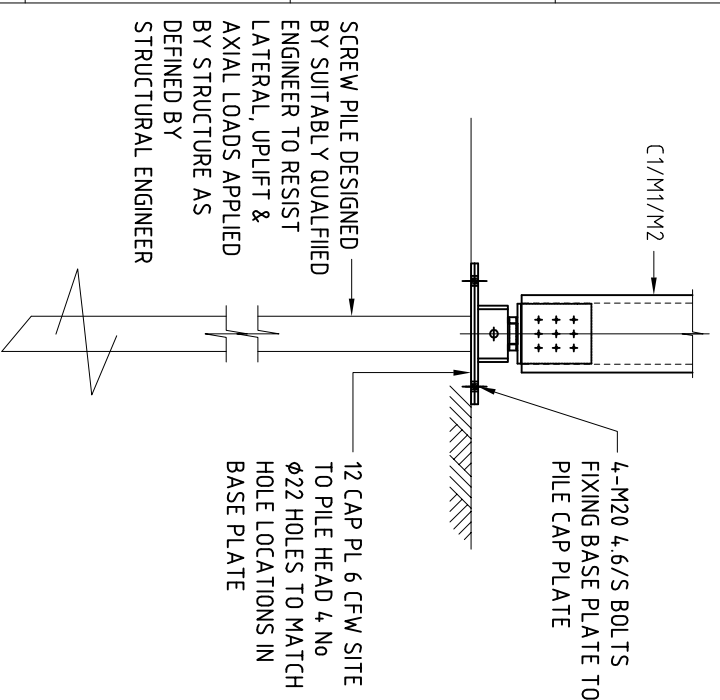
FIXING STRAP TO HAVE WEIGHT CAPACITY OF AT LEAST THE MASS OF THE CONCRETE WEIGHT

CONCRETE WEIGHT SUFFICIENT MASS TO RESIST HORIZONTAL AND UPLIFT LOADS SPECIFIED BY STRUCTURAL ENGINEER

SOIL CAPACITY TEST TO BE CARRIED OUT ON SITE

STEEL PEGS TO RESIST HORIZONTAL AND UPLIFT LOADS APPLIED BY STRUCTURE AS PER STRUCTURAL ENGINEER'S REQUIREMENTS

TYPICAL BASE FIXING USING PEGS AND HOLD DOWN WEIGHTS - BITUMEN



TYPICAL BASE FIXING USING SCREW PILE

**INFORMATION**

No	Revision	Note	Drawn	Checked/Approved	Date
0	INFORMATION		JMI	AB	23-07-12
1		Note: Indicates signatures on original issues of drawing or last revision of drawing			

ITEM	LOC.	DESCRIPTION	DATE
AS SHOWN		Design Approval	23-07-12
AS SHOWN		Design Approval	23-07-12

Copyright - This document is the property of Hurstons Structures Pty Ltd. This document may only be used for the purpose for which it was prepared and is not to be used in any other way without the written consent of Hurstons Structures Pty Ltd.

**pages** exhibition events lighting & AV  
 Pages Equipment Holdings Pty Ltd  
 26-38 Baltimore Road, Punchbowl NSW 2196  
 T 02 9533 9400 F 02 9533 9811  
 E sales@pages.id.au www.pages.id.au

ITEM	LOC.	DESCRIPTION	DATE
AS SHOWN		Design Approval	23-07-12
AS SHOWN		Design Approval	23-07-12

Original Size: A3  
 Drawing No: ANCHORING REQUIREMENTS  
 Title: PAGES EVENT EQUIPMENT ANCHORING REQUIREMENTS